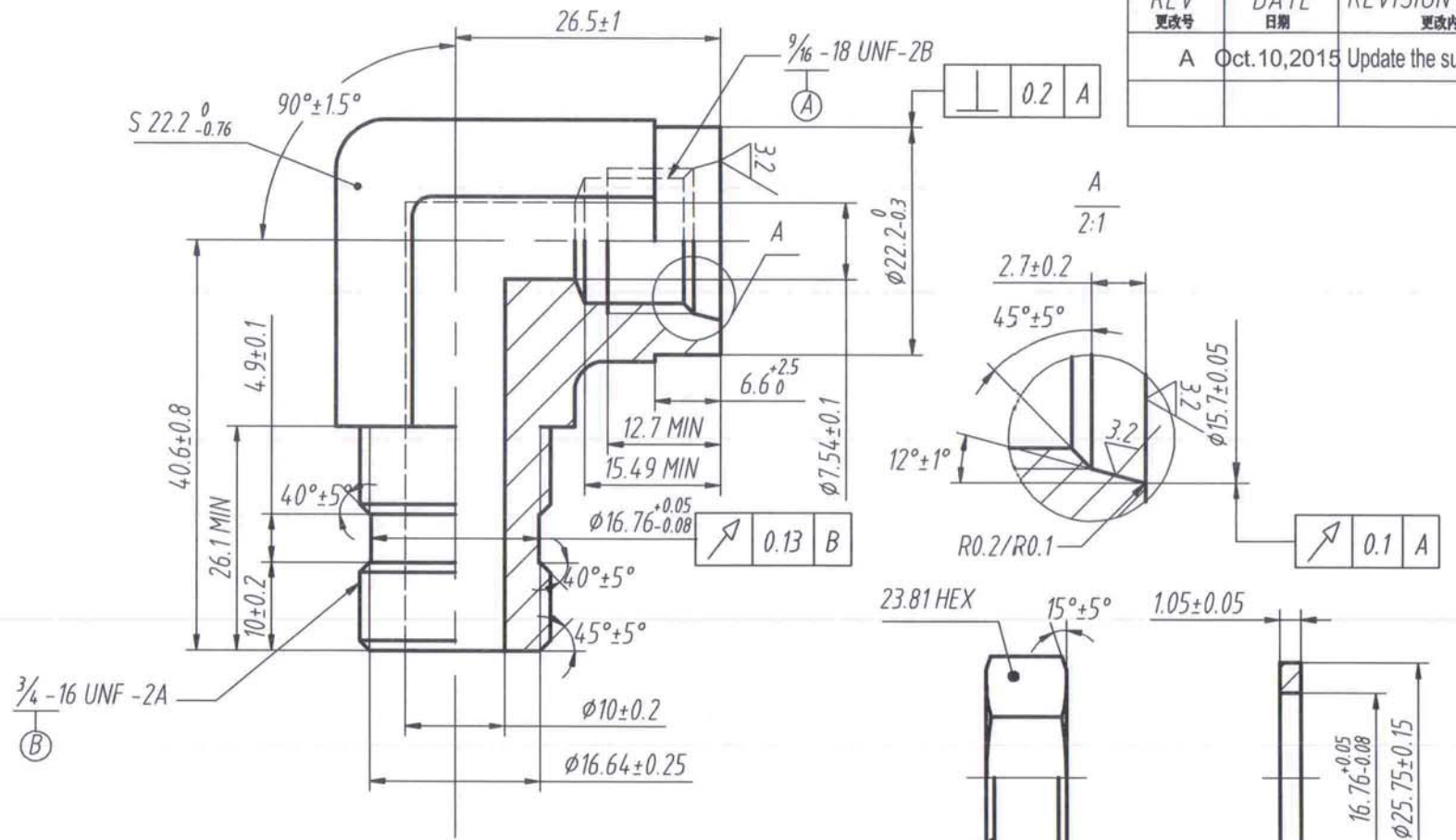


REV 更改号	DATE 日期	REVISION DETAILS 更改内容	APPD 审核并批准
A	Oct. 10, 2015	Update the surface treatment	



UNLESS SPECIFIED  
 ALL DIMENSIONS IN mm,  
 MACHINED SURFACES Ra=3.2um,  
 ANGLE TOLERANCES ±1°,  
 Other tolerance except angles,  
 in accordance with  
 GB/T1804-2000(ISO2768-1)-m and  
 GB/T1184-1996(ISO 2768-2)-m.

其它事项  
 图示尺寸单位为mm,  
 未注机加工表面粗糙度Ra=3.2um  
 未注角度公差±1°  
 其它未注公差(除角度外)均按:  
 GB/T1804-2000(ISO2768-1)-m 和  
 GB/T1184-1996(ISO2768-2)-m

MATERIAL	Chinese steel 45
FINISH	Remove all sharp edges ,burrs ,Slivers and swarf, break all edges 0.127-0.254mm. Zinc plating with trivalent chromate passivation and passes 96hrs to white rust and 144hrs to red rust in a salt spray test

PART NO 零件名		6805-6PT-8NWO	
SCALE NTS	APPD: 批准: Zhangjian	DRN 制图: WAN QIU	
	DATE 日期: 12/10/15	CHK 审核: YB. ZHAN	